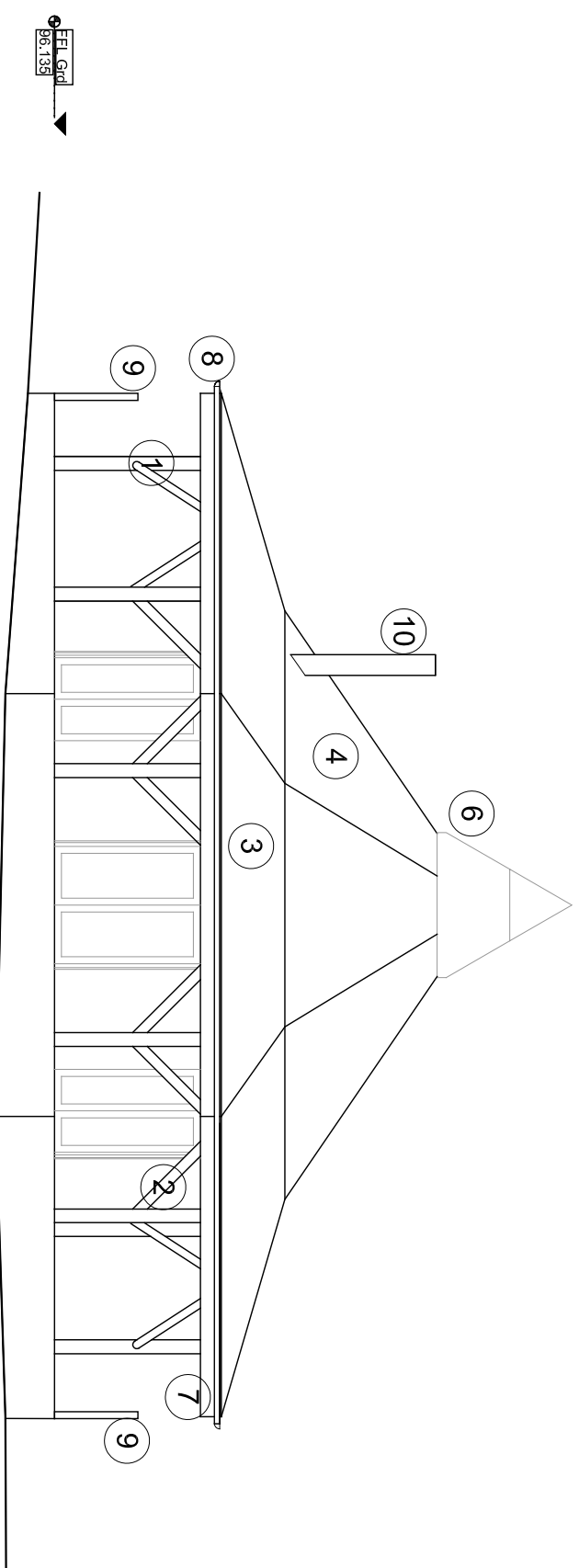
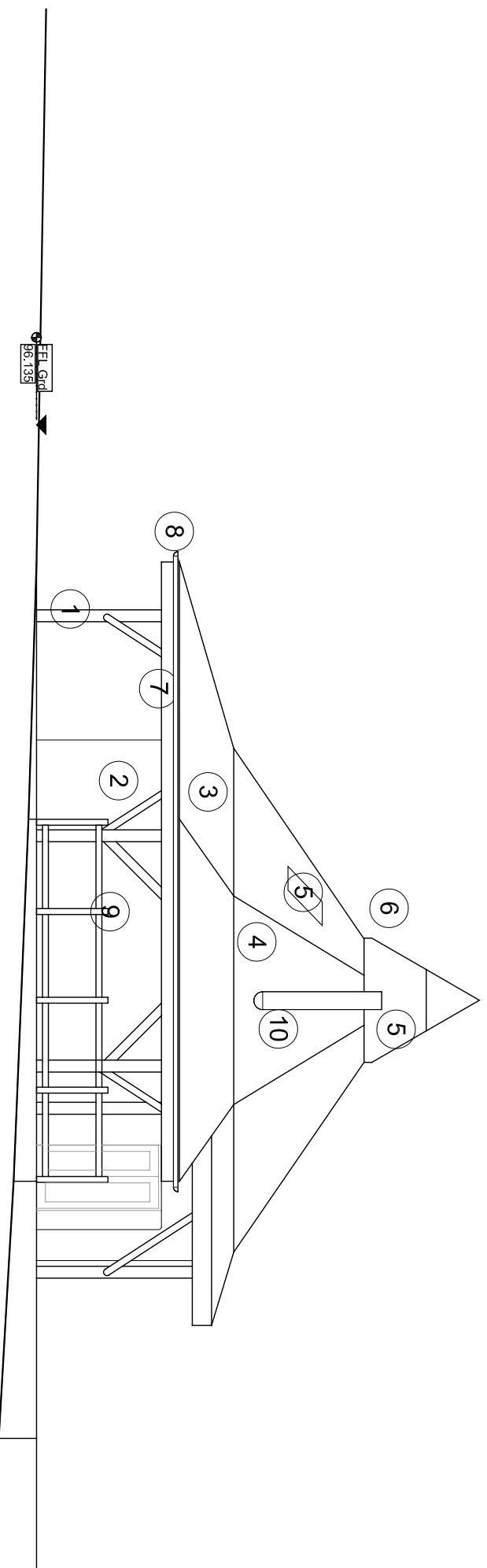


- ① Roundwood Timber Frame
- ② Lime Rendered Walls - Colour TBC
- ③ Green Roof - Plant Species TBC
- ④ Cedar Roofing Shingles
- ⑤ Clear Glazing to Rooflights
- ⑥ Metal Cover Flashing to Octagonal Lattern Rooflight - Metal TBC
- ⑦ Timber Fascia
- ⑧ Galvanised Steel Gutters & Downpipes
- ⑨ Timber Handrails with Hurdle Infill Panels (Panels shown only partially for clarity)
- ⑩ Flue - Stainless Steel
- ⑪ Solar PV Panel



ELEVATION 1 - NORTH



ELEVATION 2 - EAST

This drawing is the property of **Straw Works**. Copyright is reserved by **Straw Works** and the drawing is issued on condition that it is not copied either wholly or in part without the consent in writing of **Straw Works**.

Straw Works Ltd
Hollinroyd Farm
Todmorden
OL14 8RU
info@strawworks.co.uk

Date: January 2017
Scale: 1:100 @ A3
Drawn: SG

Client: Whistlewood Common Ltd
Project: Whistlewood Hub,
Whistlewood Common, The Common,
Melbourne, DE73 8DH

Drawing: Elevations 1
Drawing No: 16004 - 04
Revision: DRAFT