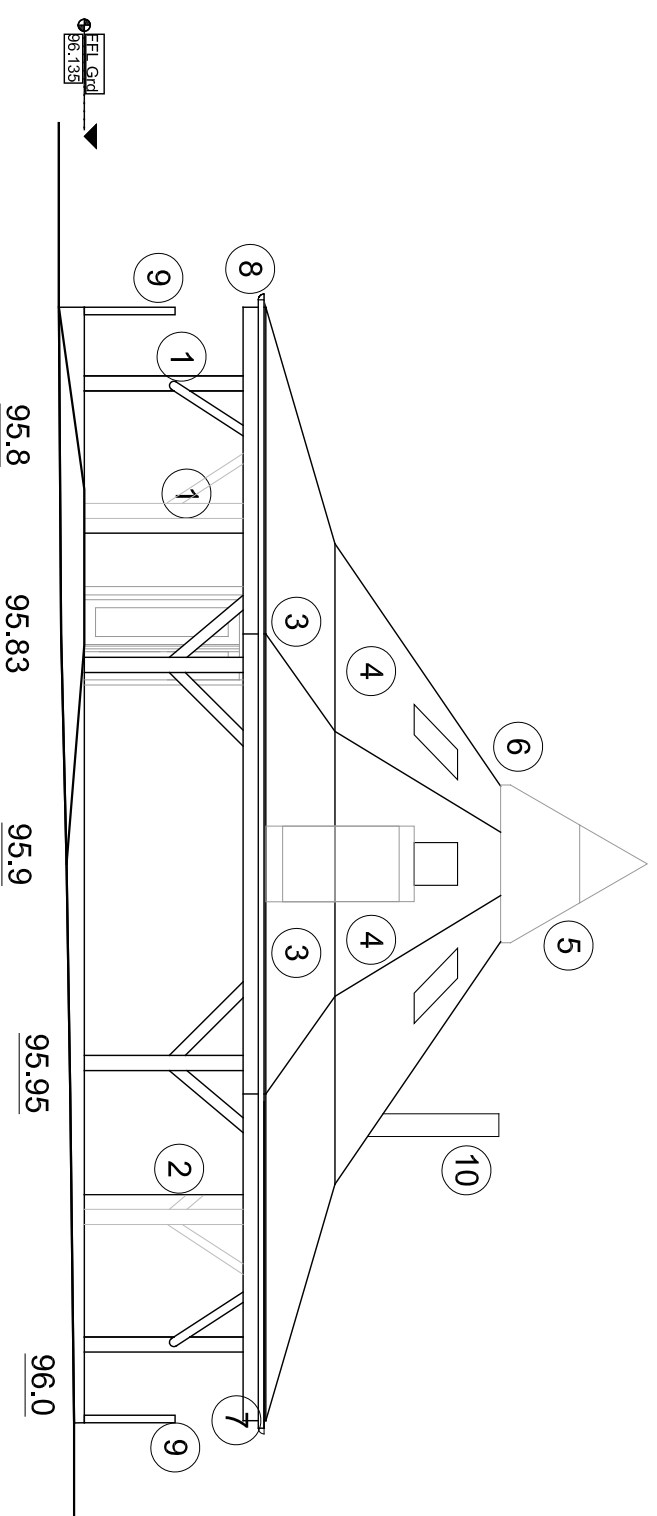
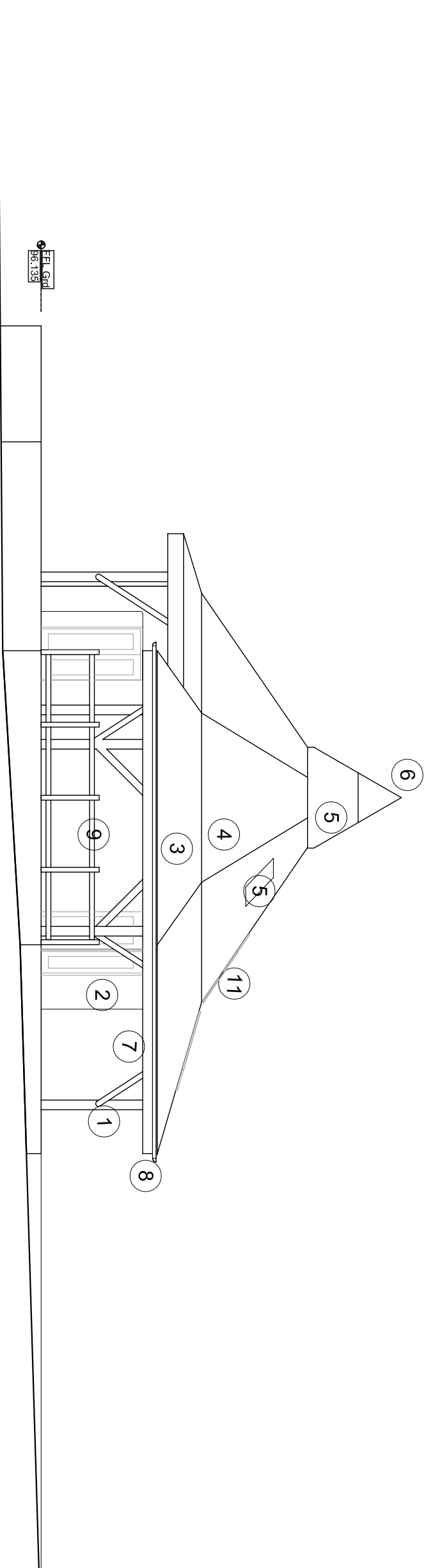


- ① Roundwood Timber Frame
- ② Lime Rendered Walls - Colour TBC
- ③ Green Roof - Plant Species TBC
- ④ Cedar Roofing Shingles
- ⑤ Clear Glazing to Rooflights
- ⑥ Metal Cover Flashing to Octagonal Lattern Rooflight - Metal TBC
- ⑦ Timber Fascia
- ⑧ Galvanised Steel Gutters & Downpipes
- ⑨ Timber Handrails with Hurdle Infill Panels (Panels shown only partially for clarity)
- ⑩ Flue - Stainless Steel
- ⑪ Solar PV Panel

ELEVATION 3 - SOUTH



ELEVATION 4 - WEST



This drawing is the property of **Straw Works**. Copyright is reserved by **Straw Works** and the drawing is issued on condition that it is not copied either wholly or in part without the consent in writing of **Straw Works**.

Straw Works Ltd  
Hollinroyd Farm  
Todmorden  
OL14 8RU  
info@strawworks.co.uk

Date: January 2017  
Scale: 1:100 @ A3  
Drawn: SG

Client: Whistlewood Common Ltd  
Project: Whistlewood Hub,  
Whistlewood Common, The Common,  
Melbourne, DE73 8DH

Drawing: Elevations 2  
Drawing No: 16004 - 05  
Revision: DRAFT